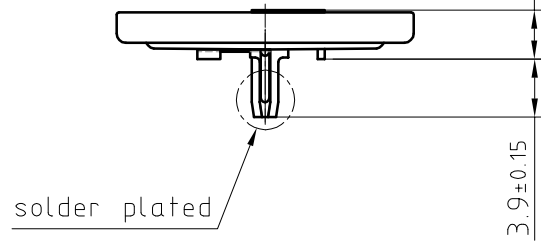
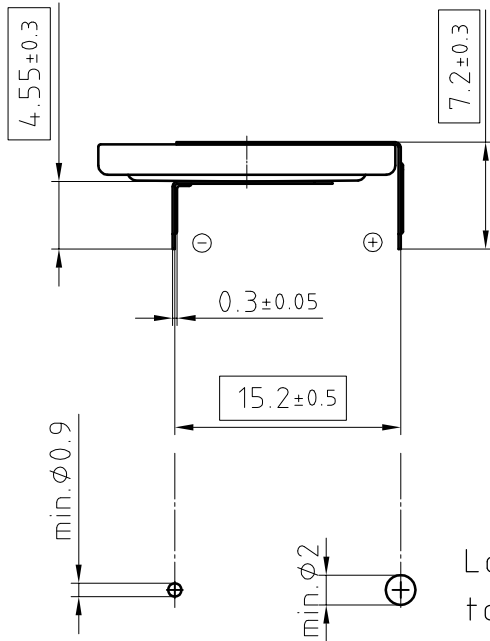
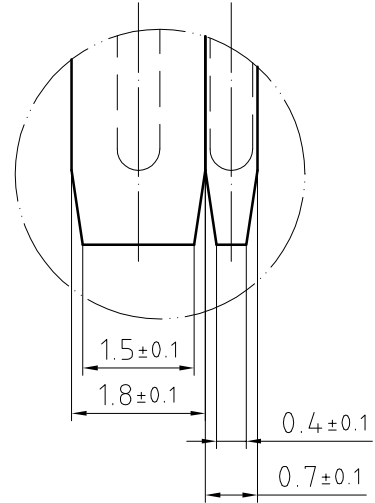
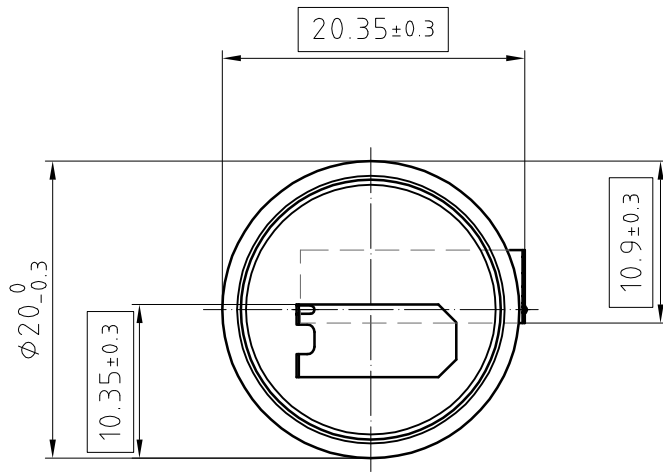


Art.-Number:703320



Layout top view

- Samples can deviate in the execution from the serie.

All dimensions in mm.

Tab material: Stainless steel

Direction of tab corrugation could be to the inner side, or outer side

All framed values will be used for dimension checking !

- Dimensions and tolerances can be specified only after the testing of the devices for the mass production definitely

Rev.	○			Rev.	○				Customer's Approval			
Rev.	○			Rev.	○				Date			
Rev.	○			Rev.	○				Signature			
Title:								Scale 2:1	Drawn	18.09.12	PWu	
CR2025 MFR HF3									Checked			
									Approved	19.09.12	SRi	
				CH-4452 Itingen Switzerland				10.0911.4-				