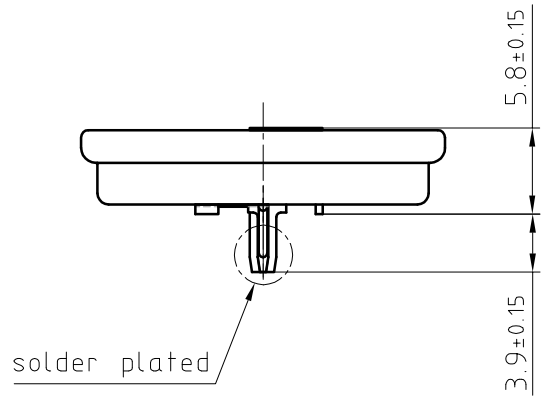
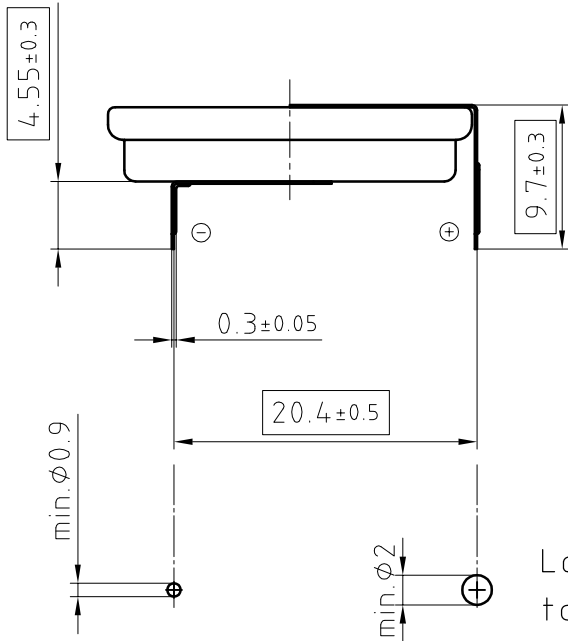
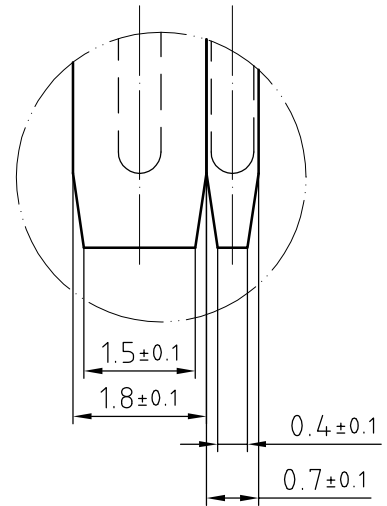
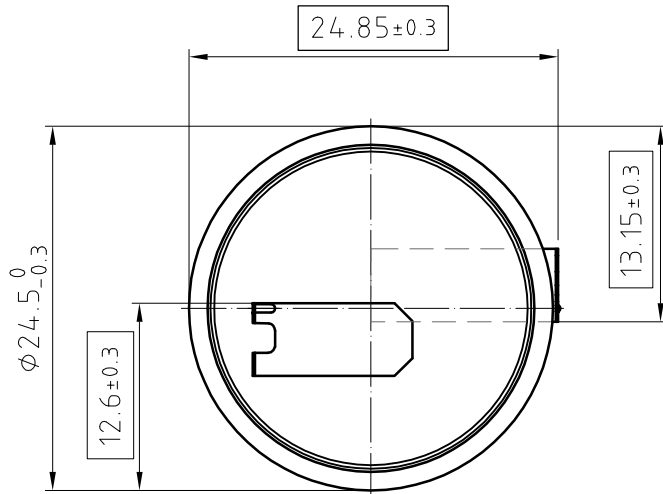


Art.-Number: 703346



Layout  
top view

- Samples can deviate in the execution from the serie.

All dimensions in mm.

Tab material: Stainless steel

Direction of tab corrugation could be to the inner side, or outer side

All framed values will be used for dimension checking !

- Dimensions and tolerances can be specified only after the testing of the devices for the mass production definitely

Rev.	○			Rev.	○				Customer's Approval		
Rev.	○			Rev.	○				Date		
Rev.	○			Rev.	○				Signature		
Title:								Scale 2:1	Drawn	14.09.12	PWu
CR2450N-MFR HF3									Checked		
									Approved	17.09.12	MDi

**renata**  
batteries

CH-4452 Itingen  
Switzerland

10.0936.4-