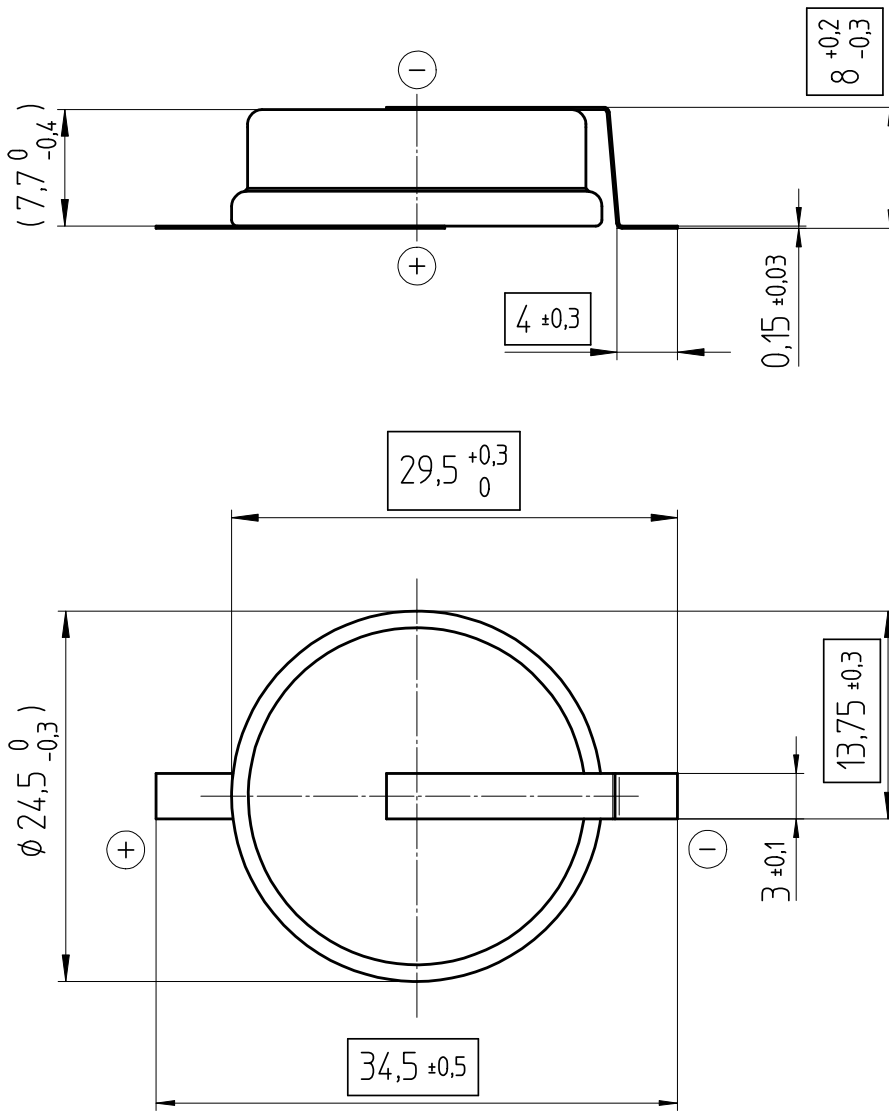


Art.-Number: 701978



Tab material: Isotan (54%Cu,44%Ni,Mn)

All framed values will be used for dimension checking !

- Samples can deviate in the execution from the serie.

- Dimensions and tolerances can be specified only after the testing of the devices for the mass production definitely

Rev.	○			Rev.	○			Customer's Approval				
Rev.	○			Rev.	○			Scale	Date			
Rev.	○			Rev.	○			2:1	Signature			
Titel:									Drawn	05.11.07	SRi	
CR2477NSM									Checked	06.11.07	BBö	
									Approved			
								CH-4452 Itingen Switzerland		3.9207.4-		