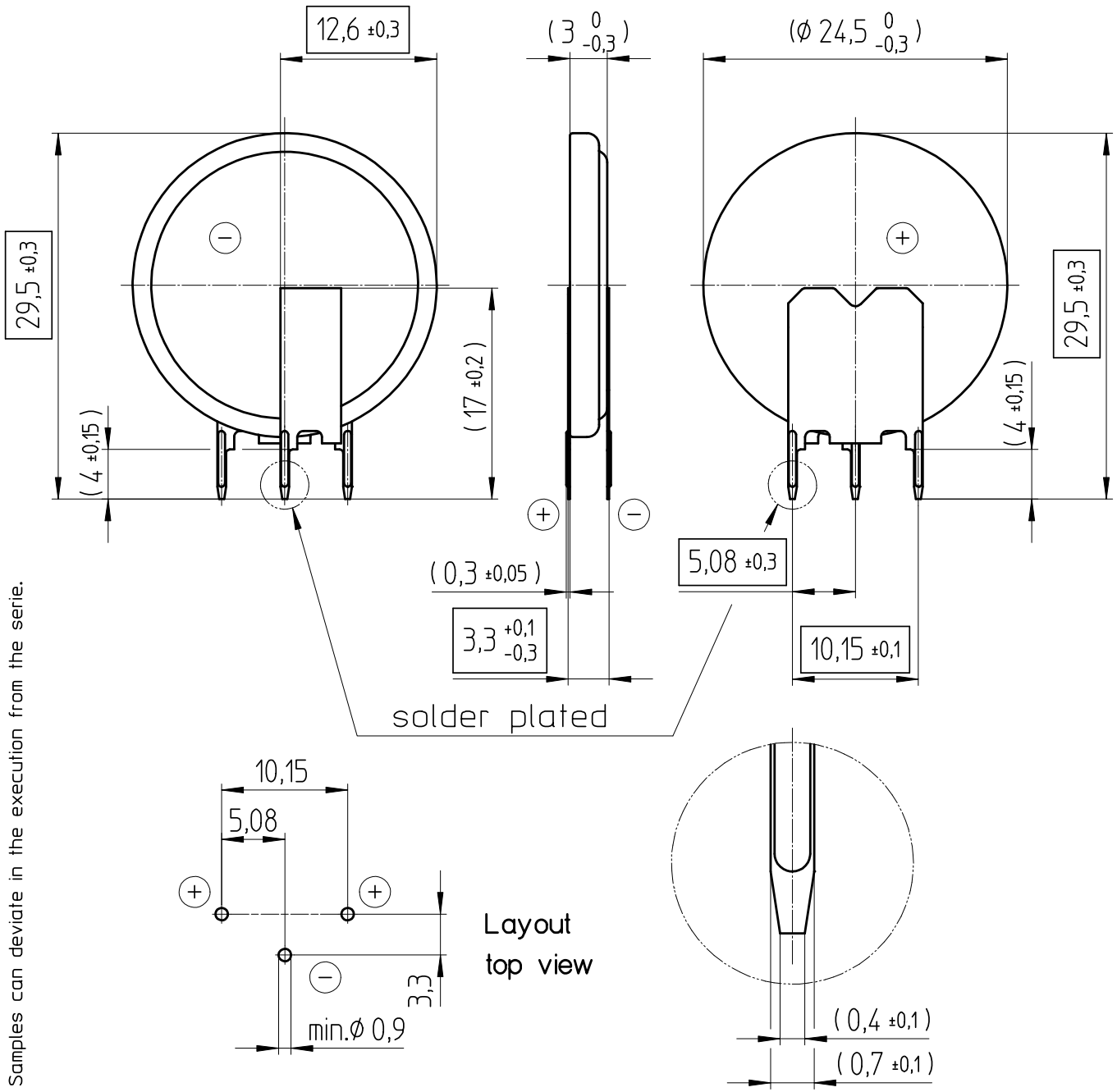


- Samples can deviate in the execution from the serie.

- Dimensions and tolerances can be specified only after the testing of the devices for the mass production definitely



Tab material: Stainless steel

All framed values will be used for dimension checking !

| | | | | | | | | | | |
|-------------|-----------------------|--|--|------|-----------------------|--|--------------------------------|---------------------|-----------|-----|
| Rev. | <input type="radio"/> | | | Rev. | <input type="radio"/> | | | Customer's Approval | | |
| Rev. | <input type="radio"/> | | | Rev. | <input type="radio"/> | | | Date | | |
| Rev. | <input type="radio"/> | | | Rev. | <input type="radio"/> | | | Signature | | |
| Titel: | | | | | | | Scale 2:1 | Drawn | 05.01.05 | SRi |
| CR2430RV-LF | | | | | | | | Checked | 07.02.05 | MHo |
| | | | | | | | | Approved | | |
| | | | | | | | CH-4452 Itingen Switzerland | | 3.8732.4- | |