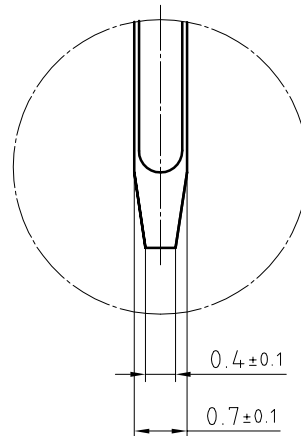


Layout top view



- Samples can deviate in the execution from the serie.

- Dimensions and tolerances can be specified only after the testing of the devices for the mass production definitely

All dimensions in mm.

Tab material: Stainless steel

Direction of tab corrugation could be to the inner side, or outer side

All framed values will be used for dimension checking !

Rev.	○			Rev.	○				Customer's Approval				
Rev.	○			Rev.	○				Date				
Rev.	○			Rev.	○				Signature				
Title:								Scale 2:1	Drawn	18.09.12	PWu		
CR2025 MFR VR									Checked				
									Approved	19.09.12	SRi		
								CH-4452 Itingen Switzerland			10.0914.4-		