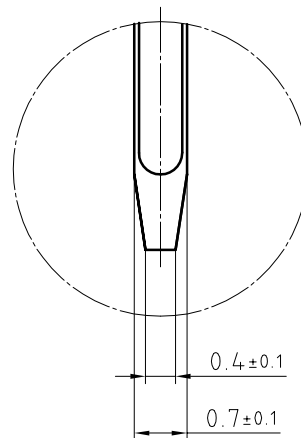


Layout top view



- Samples can deviate in the execution from the serie.

- Dimensions and tolerances can be specified only after the testing of the devices for the mass production definitely

All dimensions in mm.

Tab material: Stainless steel

Direction of tab corrugation could be to the inner side, or outer side

All framed values will be used for dimension checking !

Rev.	○			Rev.	○		
Rev.	○			Rev.	○		
Rev.	○			Rev.	○		

	Customer's Approval		
	Date		
	Signature		
Scale 2:1	Drawn	18.09.12	PWu
	Checked		
	Approved	19.09.12	SRi

Title:  
CR2032 MFR VR

**renata** batteries  
CH-4452 Itingen  
Switzerland

10.0926.4 -