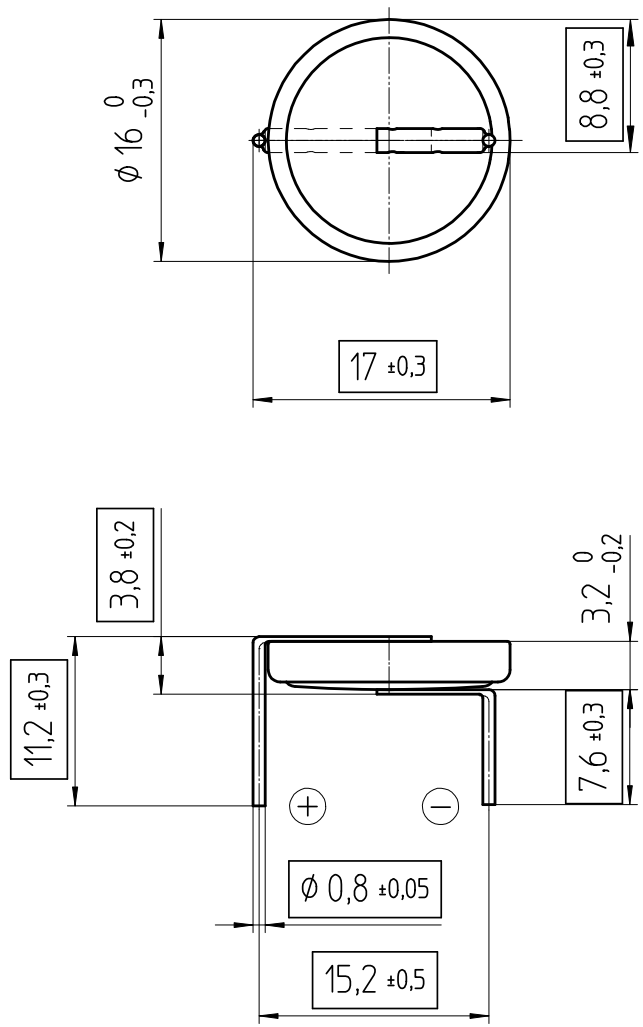


Art.-Number: 700534



- Samples can deviate in the execution from the serie.

Tab material: Isotan (54%Cu,44Ni,Mn)

- Dimensions and tolerances can be specified only after the testing of the devices for the mass production definitely

All framed values will be used for dimension checking !

Rev.	①	05.12.05	SRi	Rev.	○				Customer's Approval		
Rev.	②	19.03.08	SRi	Rev.	○				Date		
Rev.	○			Rev.	○				Signature		
Titel:								Scale 2:1	Drawn	29.10.97	SRi
CR1632AH1									Checked	19.03.08	JLSch
									Approved		
				CH-4452 Itingen Switzerland				3.8355.4-2			