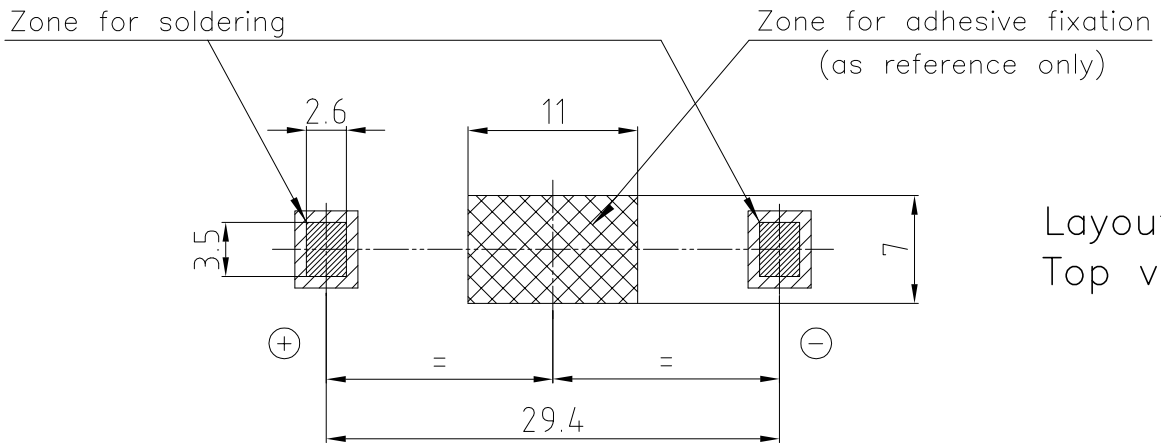


- Samples can deviate in the execution from the serie.

- Dimensions and tolerances can be specified only after the testing of the devices for the mass production definitely



Layout
Top view

Holder material : heat resistant, glass-fiber reinforced LCP

Battery contacts : spring stainless steel 301 nickel plated throughout

Solder contacts : spring stainless steel 301 solder area tin-plated throughout, min. thickness 5µm

All framed values will be used for dimension checking !

Rev.	○	Rev.	○		Customer's Approval		
Rev.	○	Rev.	○		Date		
Rev.	○	Rev.	○		Signature		
Titel:				Scale 2:1	Drawn	17.04.12	Wu Ping
SMTU2032-C					Checked	05.06.12	RKL
					Approved		