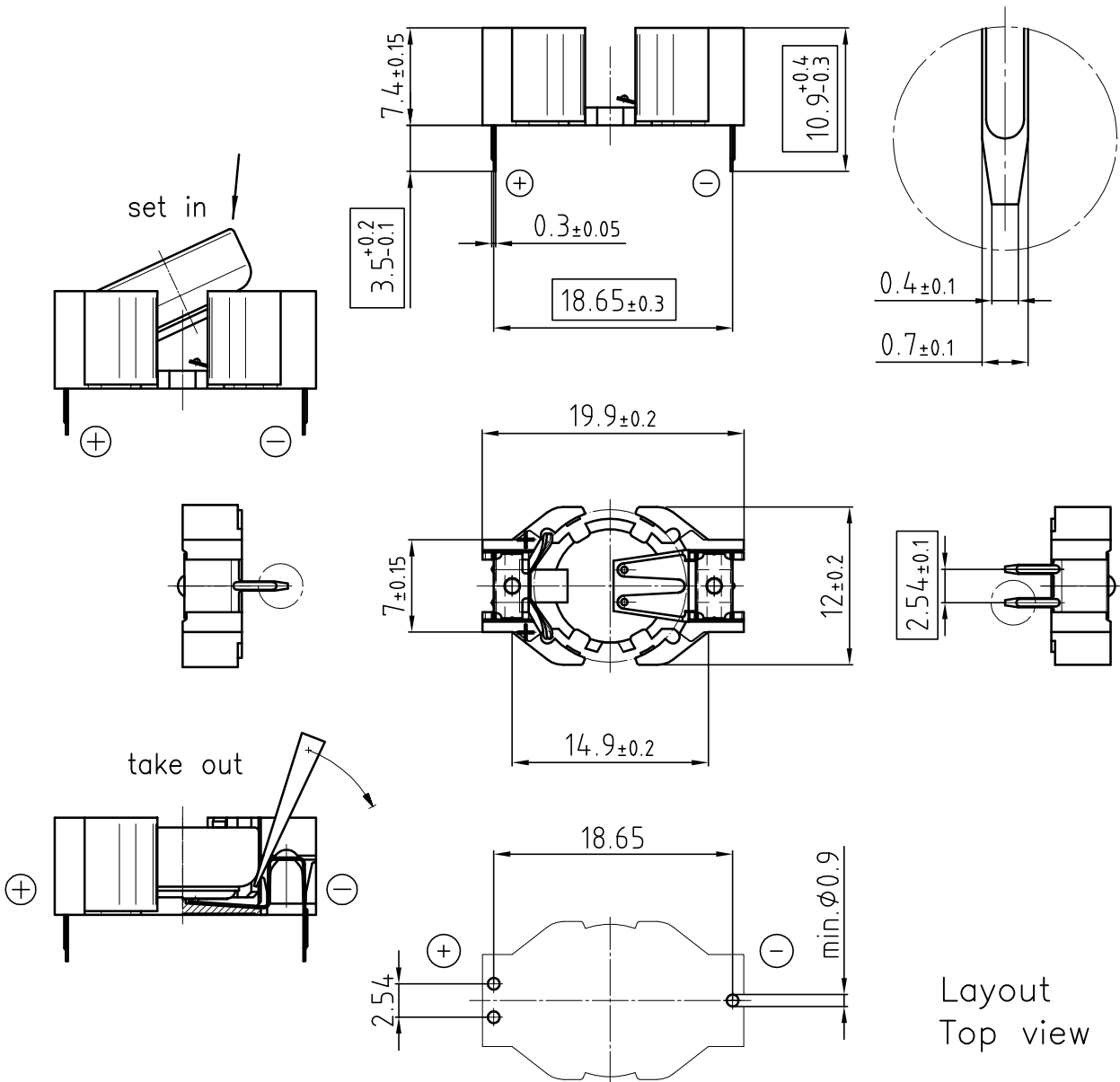


Art.-Number: 701133



Layout  
Top view

Samples can deviate in the execution from the serie.

Dimensions and tolerances can be specified only after the testing of the devices for the mass production definitely

- Holder material : heat resistant, glass-fiber reinforced LCP
- Battery contacts : spring stainless steel 301 nickel plated throughout
- Solder contacts : spring stainless steel 301 solder area tin-plated throughout, min. thickness 5µm

All framed values will be used for dimension checking !

Rev.	①	02.11.07	SRi	Rev.	○			Customer's Approval			
Rev.	②	20.09.10	Wu Ping	Rev.	○			Date			
Rev.	○			Rev.	○			Signature			
Titel:								Scale	Drawn	01.12.05	SRi
HU357-LF									Checked	23.09.10	SRi
									Approved		
				CH-4452 Itingen Switzerland				3.8923.4-2			