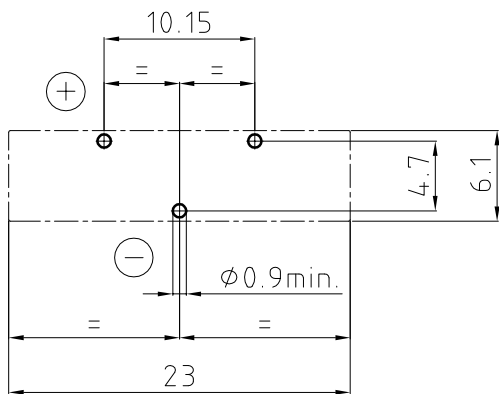


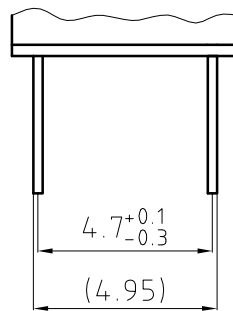
Front view from (-) pole side

Side view

Front view from (+) pole side



Layout top view



Detail M5:1

Samples can deviate in the execution from the serie.

Dimensions and tolerances can be specified only after the testing of the devices for the mass production definitely

All dimensions in mm. Colour: black
 Holder material: Flame retardant high performance polyamide resin, UL flammability class 94V-0
 Battery contacts: spring stainless steel nickel plated throughout, thickness min. 1.5um ,
 Solder contacts: spring stainless steel nickel plated throughout, thickness min. 4um
 Specifications are subject to change without notice for further improvement

All framed values will be used for dimension checking !

Rev.	<input type="radio"/>			Rev.	<input type="radio"/>				Customer's Approval		
Rev.	<input type="radio"/>			Rev.	<input type="radio"/>				Date		
Rev.	<input type="radio"/>			Rev.	<input type="radio"/>				Signature		
Title:								Scale	Drawn	11.12.12	PWu
VBH2032-1								2:1	Checked		
									Approved	11.12.12	MDi